

RAMI10512B-N

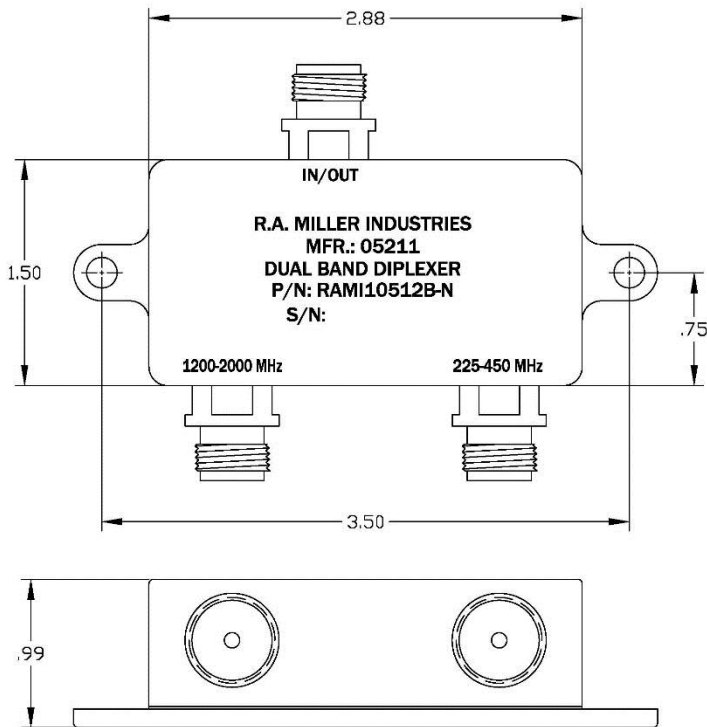
LOUD AND CLEAR

PRODUCT DESCRIPTION

Model Number	RAMI10512B-N
Part Number	RAMI10512B-N
Market	Military –Land

PRODUCT SPECIFICATIONS

Application	Secure Communications
Frequency	Port 1 Antenna Port 2 225-450 MHz Port 3 1200-2000 MHz
Impedance	50 Ohms Nominal
VSWR	1.35:1 Typical/1.5:1 Maximum
Connectors	“N” Female (All ports)
RF Power Handling	50 Watts CW
Insertion Loss	<.5 dB
Isolation	40dB Typical
Max. Weight	0.41 Lbs
Color	CARC Black



MOUNTING PROVIDED FOR
#10 HARDWARE