

# RAMI8711

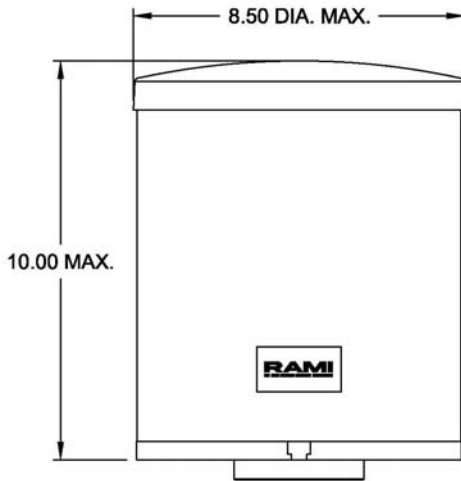
LOUD AND CLEAR

## PRODUCT DESCRIPTION

Part Number	RAMI8711
NSN	Not Assigned
Market	Military - Rugged

RAMI's UHF SATCOM is an extremely rugged Right Hand Circularly Polarized (RHCP) antenna designed for tactical vehicles for on-the-move (OTM) applications. The low-profile design reduces interference from overhanging objects and has a low visual signature. The antenna has the Frequency coverage to support both Legacy and MUOS UHF communication needs and can cover the entire hemispherical Field of View (FOV) with a single port which eliminates the need to switch between high and low angles. The antenna will interface with a standard NATO mount and has been designed for direct vehicle mount.

For elevated mounting applications, see RAMI8714.



RAMI UHF SATCOM  
VEHICLE MOUNT

ORDERING PART NUMBER:  
RAMI8711G = CARC GREEN  
RAMI8711T = CARC TAN  
RAMI8711B = CARC BLACK

## PRODUCT SPECIFICATIONS

Application	UHF	
Frequency	Legacy SATCOM Rx	243 to 270 MHz
	Legacy SATCOM Tx	292 to 318 MHz
	MUOS SATCOM Rx	360 to 380 MHz
	MUOS SATCOM Tx	300 to 320 MHz

VSWR	1.5:1
Polarization	RHCP
Connector	"N" Female
RF Power Handling	100 Watts CW

Vehicle Mount measured on 4' round ground plane

Gain	Elevation Angle	Gain (dBiC)
	(Degrees)	
Legacy Rx (243-270 MHz)	90	5.5
	45	2.0
	20	-3.0
Legacy Tx (292-318 MHz)	90	4.5
	45	1.0
	20	-4.5
MUOS Rx (360-380 MHz)	90	5.0
	45	2.5
	20	-2.5
MUOS Tx (300-320 MHz)	90	4.5
	45	1.0
	20	-4.5
Max. Weight	9 Lbs	