

# RAMI8714 (UHF SATCOM Supplied W/SAT WING Ground Plane & 18" Riser)

LOUD AND CLEAR

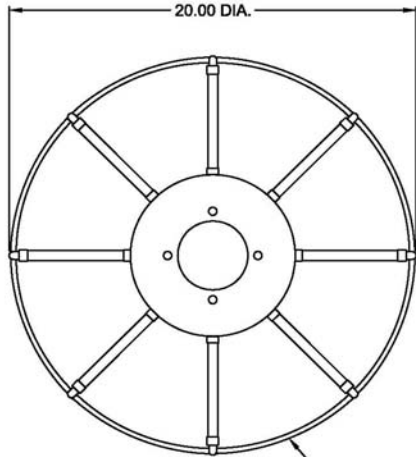
**PRODUCT DESCRIPTION**

Part Number           RAMI8714  
NSN                     Not Assigned  
Market                 Military - Rugged

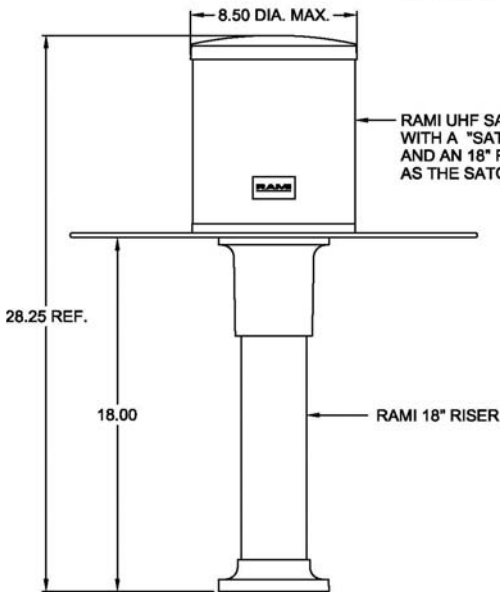
RAMI's UHF SATCOM is an extremely rugged Right Hand Circularly Polarized (RHCP) antenna designed for tactical vehicles for on-the-move (OTM) applications. The antenna has the Frequency coverage to support both Legacy and MUOS UHF communication needs and can cover the entire hemispherical Field of View (FOV) with a single port which eliminates the need to switch between high and low angles. The antenna will interface with a standard NATO mount. For applications where direct vehicle roof mount is not available.

**PRODUCT SPECIFICATIONS**

Application	UHF	
Frequency	Legacy SATCOM Rx	243 to 270 MHz
	Legacy SATCOM Tx	292 to 318 MHz
	MUOS SATCOM Rx	360 to 380 MHz
	MUOS SATCOM Tx	300 to 320 MHz
VSWR	1.5:1	
Polarization	RHCP	
Connector	"N" Female	
RF Power Handling	100 Watts CW	
Gain	Elevation Angle (Degrees)	Gain (dBiC)
Legacy Rx (243-270 MHz)	90	4.0
	45	1.0
	20	-3.0
Legacy Tx (292-318 MHz)	90	3.5
	45	1.0
	20	-3.0
MUOS Rx (360-380 MHz)	90	4.0
	45	1.5
	20	-2.0
MUOS Tx (300-320 MHz)	90	3.5
	45	1.0
	20	-3.0
Max. Weight	17 Lbs	



RAMI "SAT WING" GROUND PLANE  
ORDERING P/N: RAMI87-50  
OFFERED IN COLOR BLACK ONLY



RAMI UHF SATCOM IS SUPPLIED  
WITH A "SAT WING" GROUND PLANE  
AND AN 18" RISER IN SAME COLOR  
AS THE SATCOM ANTENNA

RAMI 18" RISER

ORDERING PART NUMBER:  
RAMI8714G = CARC GREEN  
RAMI8714T = CARC TAN  
RAMI8714B = CARC BLACK