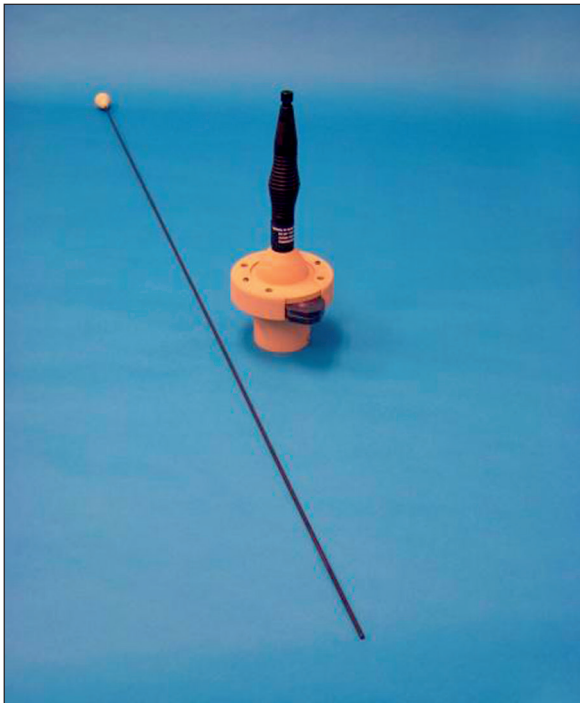


AS-3916/VRC W/GPS

LOUD & CLEAR®



PRODUCT DESCRIPTION

Model Number	AS-3916/VRC W/GPS
Part Number	RAMI391622 (Tan) RAMI391621 (Green)
NSN	5985-01-592-4346
Market	Military-Land

The AS-3916/VRC Antenna is a Survivable Low Profile version of the AS-3900A/VRC Antenna. It is used with the SINGARS Radio System on vehicles which launch TOW Anti-Armor Missiles where the back-blast of the missile launchers would damage the AS-3900A/VRC Antenna. This version of the antenna includes an Active GPS antenna element integral to the matching base unit. The AS-3916/VRC can withstand the application of 20,000 VRMS to the antenna element without adverse affect to the antenna or radio. The antenna is produced to the U.S. Army CECOM Specification A3180155 and was designed, developed, and produced under a CECOM Request Proposal by RAMI. The antenna has a higher power capacity to allow multiplexing of up to four (4) radios to a single antenna. This eliminates a co-site problem of multiple antennas interfering with each other.

PRODUCT SPECIFICATIONS

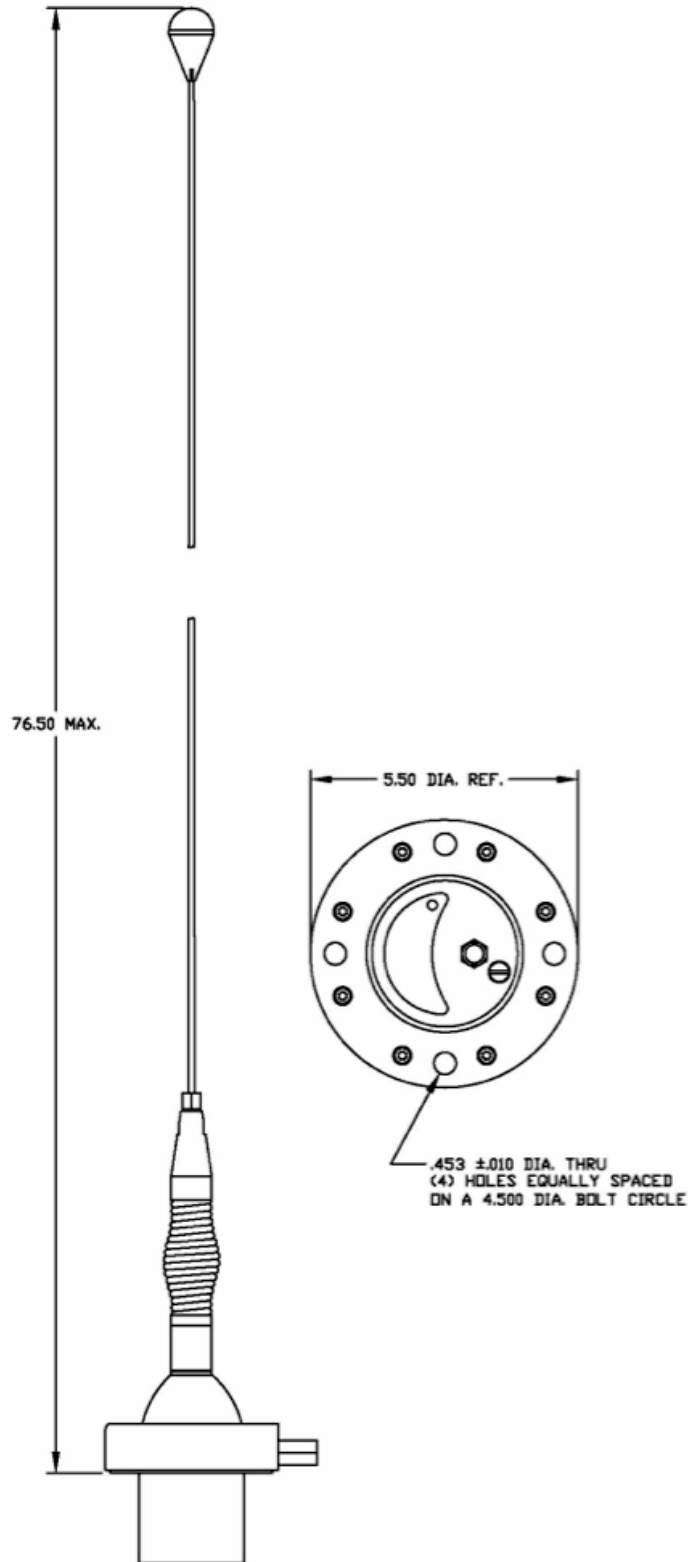
Application	Secure Communications, GPS Navigation
Frequency	30-88 MHz, 1575 ± 2 MHz (GPS)
Impedance	50 Ohms Nominal
VSWR	3.5:1 Maximum, 1.5:1 Maximum (GPS)
Polarization	Vertical, Right Hand Circular (GPS)
Pattern	Omni-Directional
Connector	"BNC" Female, "SMA" Female (GPS)
Max Weight	6 lbs.
RF Power Capacity	150 Watt CW
Gain	-8.8 dBmp @ 30 MHz to -3.5 dBmp @ 88 MHz 28 dB @ 3 VDC (GPS)
Available Colors	CARC Green CARC Tan CARC White



The Antenna Professionals

AS-3916/VRC W/GPS

LOUD & CLEAR®



(not to scale)

