

PRODUCT DESCRIPTION

Model Number	AS-3916/VRC
Part Number	A3207487-1 (Green)
NSN	5985-01-353-4943 (Green)
Market	Military-Land

The AS-3916/VRC Antenna is a Survivable Low Profile version of the AS-3900A/VRC Antenna. It is used with the SINCGARS Radio System on vehicles which launch TOW Anti-Armor Missiles where the back-blast of the missile launchers would damage the AS-3900A/VRC Antenna. The AS-3916/VRC can withstand the application of 20,000 VRMS to the antenna element without adverse affect to the antenna or radio. The antenna is produced to the U.S. Army CECOM Specification A3180155 and was designed, developed, and produced under a CECOM Request Proposal by RAMI. The antenna has a higher power capacity to allow multiplexing of up to four (4) radios to a single antenna. This eliminates a co-site problem of multiple antennas interfering with each other.

PRODUCT SPECIFICATIONS

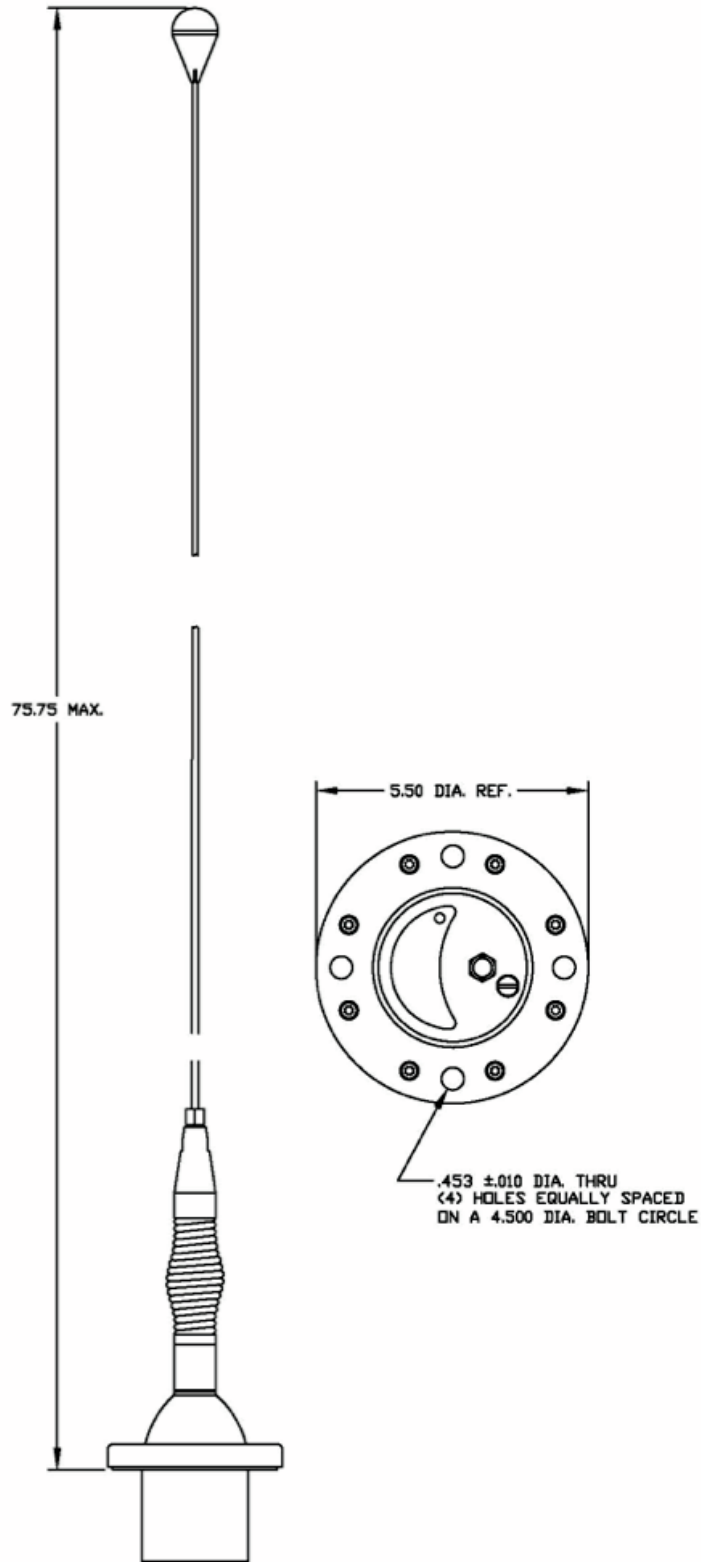
Application	Secure Communications
Frequency	30-88 MHz
Impedance	50 Ohms Nominal
VSWR	3.5:1 Maximum
Polarization	Vertical
Pattern	Omni-Directional
Connector	"BNC" Female
Max Weight	5.5 lbs
RF Power Capacity	150 Watt CW
Gain	-8.8 dBmp @ 30 MHz to -3.5 dBmp @ 88 MHz
Available Colors	CARC Green CARC Tan CARC White



The Antenna Professionals

AS-3916/VRC

LOUD & CLEAR®



(not to scale)

