

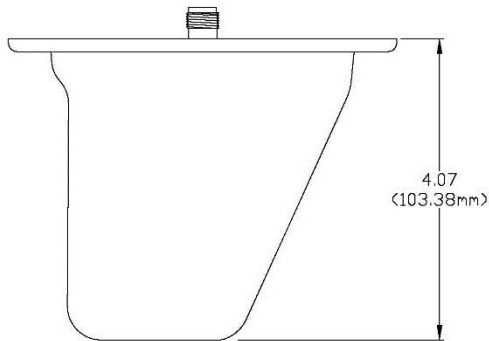
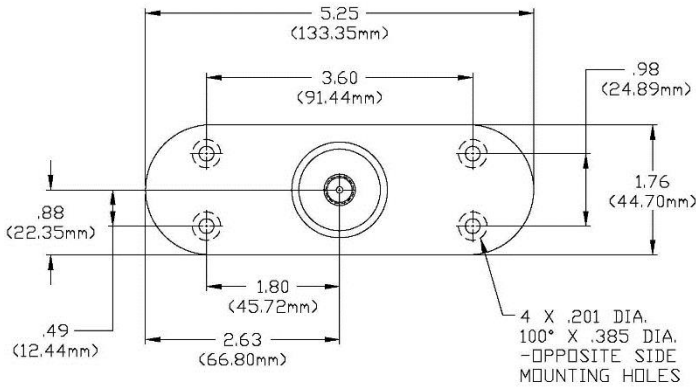
AV-289

LOUD AND CLEAR

Part Number: AV-289

PRODUCT DESCRIPTION

The AV-289 is a broadband blade type antenna for applications such as Transponder, Cellular, 4G, GSM, PCS, WIFI, and UMTS, however, it is FAA Qualified as a Transponder antenna. The antenna housing is constructed of a Polyarylamide Plastic shell and the base is 6061-T6 aluminum with a chemical conversion coating per MIL-C-5541. The antenna is supplied with an o-ring and mounting hardware. The antenna is designed to operate at speeds up to Mach 1 and altitudes up to 55,000 feet.



PRODUCT SPECIFICATIONS

| | | |
|----------------------------------|---|----------|
| Application | Transponder, Cellular, 4G, GSM, PCS, WIFI, UMTS | |
| Frequency | 700-799 MHz (Non TSO Function) 800-849 MHz (Non TSO Function) 850-1029 MHz (Non TSO Function) 1030-1090 MHz (TSO C74d) 1091-2700 MHz (Non TSO Function) | |
| Impedance | 50 Ohms Nominal | |
| VSWR | 700-799 MHz | 2.8 Max. |
| | 800-850 MHz | 2.2 Max. |
| | 850-1029 MHz | 2.0 Max. |
| | 1030-1090 MHz | 1.5 Max. |
| | 1091-2700 MHz | 2.0 Max. |
| Polarization | Vertical | |
| Pattern | Omni-Directional | |
| Connector | "TNC" Female (Optional: SMA, BNC & N) | |
| RF Power Handling | 100 Watts Continuous, 1000 Watts Peak | |
| Gain on 4 ft. Round Ground Plane | 4 dBi Nominal | |
| Gain on 2 ft. Round Ground Plane | 3.5 dBi Nominal | |
| Max. Weight | 0.60 lbs (0.273 kg) | |
| Color | Gloss White, Skydrol resistant polyurethane enamel | |