

UH-408

LOUD & CLEAR®



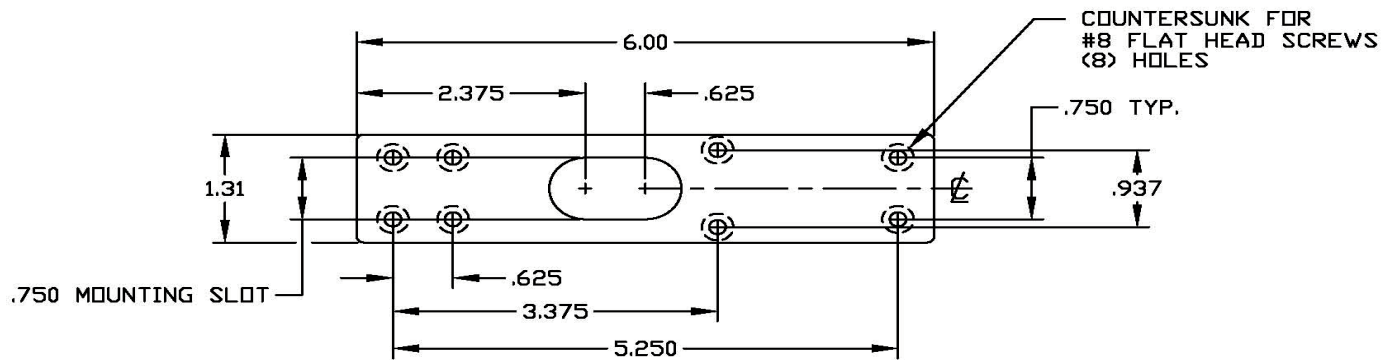
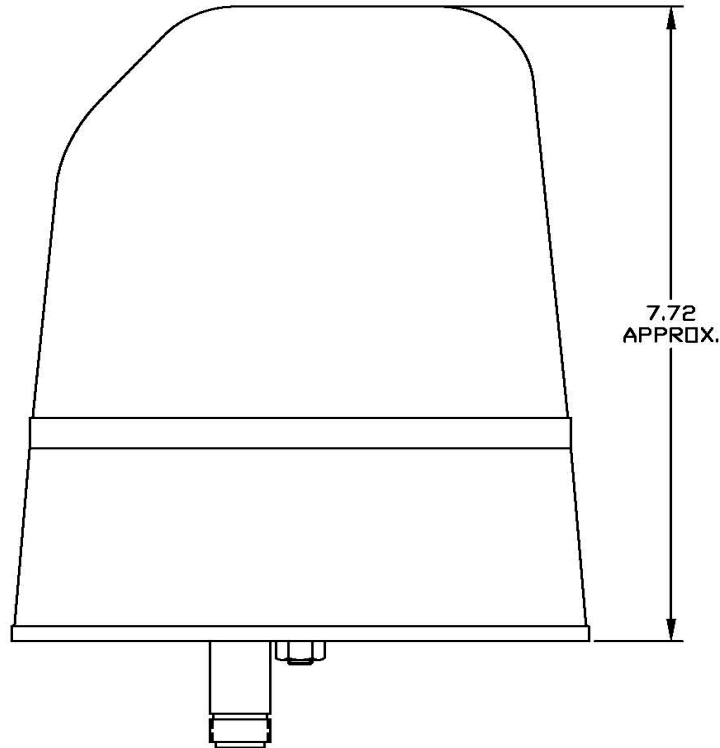
PRODUCT DESCRIPTION

Model Number	UH-408
Part Number	2-61907-501
NSN	5985-00-993-4054
Market	Military–Air

The UH-408 Antenna is used for airborne communications on various fixed-wing and rotary-wing aircraft. The antenna is qualified to Military Specifications MIL-E-5272 and MIL-E-5400. The antenna is designed to operate at the extreme temperature range of -65° F to 200° F and at altitudes of up to 60,000 ft. The antenna is protected by an anodic coating to prevent corrosion and the outside surfaces will resist erosion up to Mach 0.95.

PRODUCT SPECIFICATIONS

Application	Airborne Communications
Frequency	225–425 MHz
Impedance	50 Ohms Nominal
VSWR	2.0:1 Maximum
Polarization	Vertical
Pattern	Omni-Directional
Connector	“N” Female
Max Weight	2 lbs.
RF Power Capacity	50 Watts
Gain	-1 dBmp



THIS IS NOT A TEMPLATE
NOT TO SCALE

(not to scale)