



RAMI, Inc.
Grand Haven, MI 49417
(616) 842-9450
www.rami.com

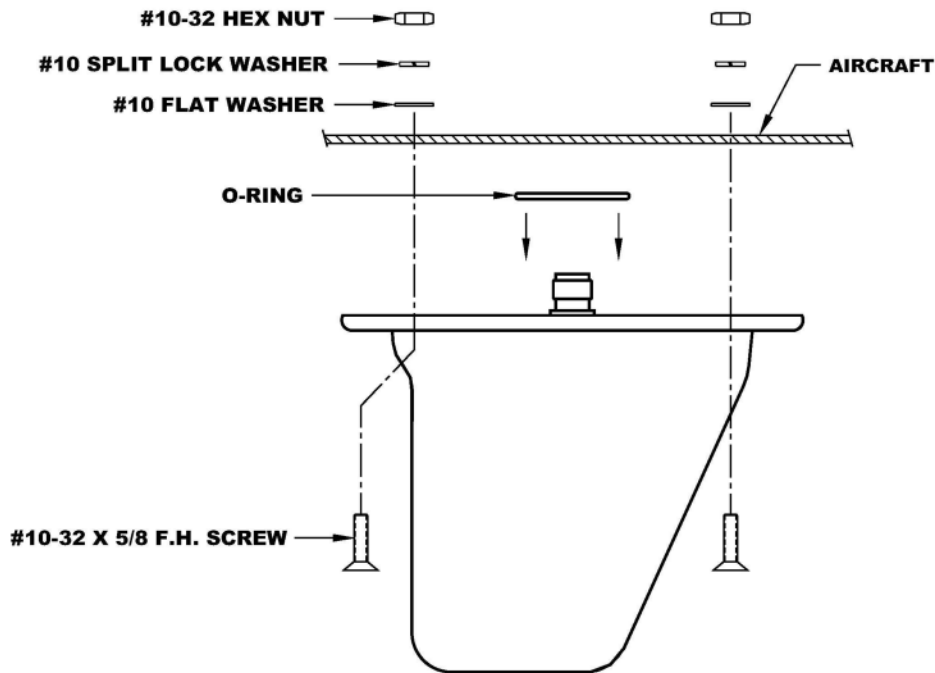
AV-289 Antenna

1030-1090 MHz
(Incomplete System)

Frequency
1030-1090 Mhz (TSO C47d)

Installation Instructions

- 1.) Mounting locations should be at least 18" from any other metal protrusions and on as flat a surface as possible on the aircraft belly.
- 2.) Using the template provided, drill four mounting holes and one hole for the connector.
- 3.) Mount the antenna by placing the O-Ring provided into the groove in the antenna base. Insert mounting screws provided as shown below and tighten all mounting screws securely to provide good electrical contact.
- 4.) Connect the antenna to the aircraft radio using an RG-58/U or similar 50 ohm coax cable with a TNC type male connector attached to the antenna end of the cable (not supplied). Terminate the other end of the cable with a suitable connector to mate with the aircraft radio.



The conditions and tests for TSO approval of this article are minimum performance standards. Those installing this article, on or in a specific type or class of aircraft, must determine that the aircraft installation conditions are within the TSO standards. TSO articles must have separate approval for installation in an aircraft. The article may be installed only according to 14 CFR part 43 or the applicable airworthiness requirements.