



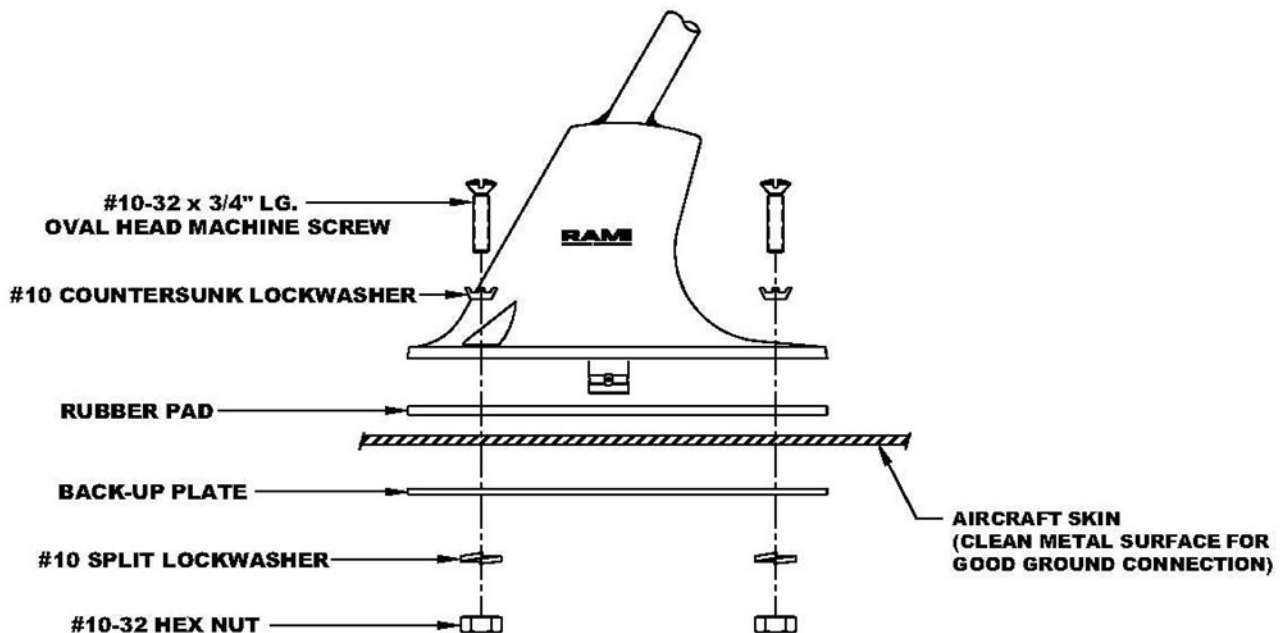
RAMI, Inc.
Grand Haven, MI 49417
(616) 842-9450
www.rami.com

AV-300 & AV-300(-B)
ELT Antenna

Operating Frequencies: 121.5, 243, 406 MHz

Installation Instructions

- 1.) Locate position on top of aircraft to mount antenna. Typically mounted aft of passenger/ baggage area and forward of vertical stabilizer.
- 2.) Using the template provided, drill three mounting holes and one hole for the connector. Note: Be sure to mount correctly using the front and rear noted on the template.
- 3.) Mount the antenna by placing the rubber pad provided between the antenna base and aircraft skin and the back-up plate provided inside the aircraft. Insert hardware provided as shown below and tighten all mounting screws securely. Good electrical contact is achieved by means of the countersunk washers biting through the painted surface under the mounting screw heads.



The conditions and tests for TSO approval of this article are minimum performance standards. Those installing this article, on or in a specific type or class of aircraft, must determine that the aircraft installation conditions are within the TSO standards. TSO articles must have separate approval for installation in an aircraft. The article may be installed only according to 14 CFR part 43 or the applicable airworthiness requirement.