

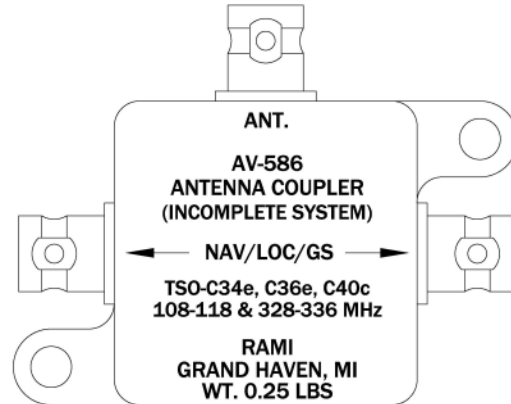


RAMI, Inc.  
Grand Haven, MI 49417  
(616) 842-9450  
www.rami.com

**AV-586 Antenna Coupler for Receivers Only**  
**Frequency: 108-118 & 328-336 MHz**  
**(Incomplete System)**

**Installation Instructions**

- 1.) Locate mounting position between the antenna and the receiver.
- 2.) Using the mounting template provided, drill (2) mounting holes and mount the antenna coupler.
- 3.) Antenna coupler is provided with BNC connectors.
- 4.) Attach a BNC type connector to one end of a cable (not supplied). The other end of the cable must have a connector attached to match the connector on the antenna.
- 5.) Route cable from the antenna to the antenna coupler and plug into proper receptacle.
- 6.) Attach another BNC type connector to one end of another cable (not supplied). The other end of the cable must have a connector attached to match the connector on the receiver.
- 7.) Route cable from the receiver to the antenna coupler and plug into proper receptacle.
- 8.) Label on bottom of antenna coupler designates the frequency and proper connection.



The conditions and tests for TSO approval of this article are minimum performance standards. Those installing this article, on or in a specific type or class of aircraft, must determine that the aircraft installation conditions are within the TSO standards. TSO articles must have separate approval for installation in an aircraft. The article may be installed only according to 14 CFR part 43 or the applicable airworthiness requirements.