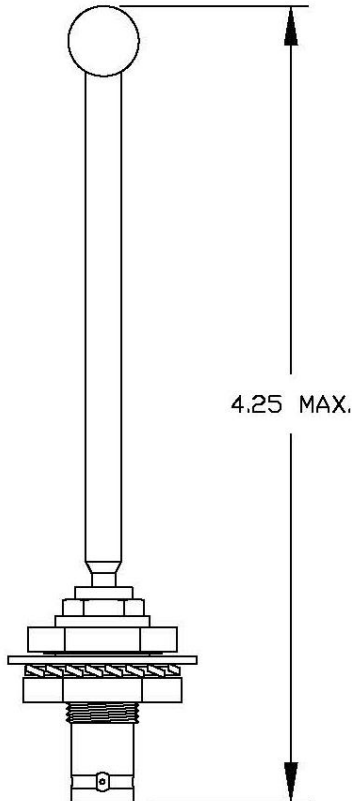


PRODUCT DESCRIPTION

Part Number AV-21

The AV-21 is a rod style broadband radio telephone antenna which utilizes a BNC connector that allows for a smaller mounting hole. The antenna is designed to operate at speeds up to 350 mph and altitudes up to 50,000 feet. It has a drag force of 0.41 lbs @ 250 mph.



PRODUCT SPECIFICATIONS

Application	Radio Telephone
Frequency	764-960 MHz
Impedance	50 Ohms Nominal
VSWR	764-870 MHz 1.5:1 Max. 870-960 MHz 2.7:1 Max.
Polarization	Vertical
Pattern	Omni-Directional
Connector	"BNC" Female
RF Power Handling	1 KW Peak Pulse @ 1% Duty Cycle
Max. Weight	1.2 oz
FAA TSO	N/A