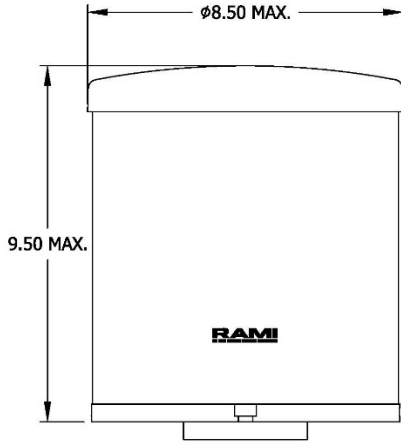


**PRODUCT DESCRIPTION**

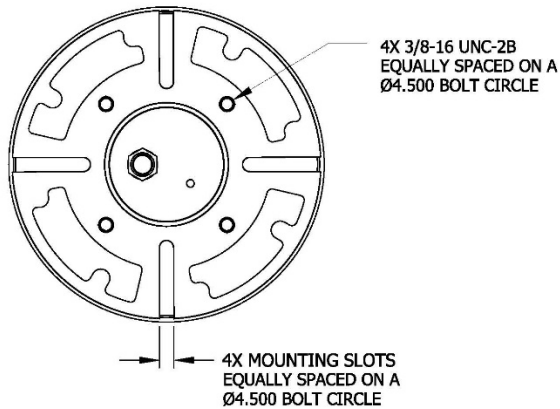
Part Number	RAMI8711
NSN	Not Assigned
Market	Military - Rugged



RAMI's UHF SATCOM is an extremely rugged Right Hand Circularly Polarized (RHCP) antenna designed for tactical vehicles for on-the-move (OTM) applications. The low-profile design reduces interference from overhanging objects and has a low visual signature. The antenna has the Frequency coverage to support both Legacy and MUOS UHF communication needs and can cover the entire hemispherical Field of View (FOV) with a single port which eliminates the need to switch between high and low angles. The antenna will interface with a standard NATO mount and has been designed for direct vehicle mount.

For elevated mounting applications, see RAMI8714.

**PRODUCT SPECIFICATIONS**



Application	UHF		
Frequency	Legacy SATCOM Rx	243 to 270 MHz	
	Legacy SATCOM Tx	292 to 318 MHz	
	MUOS SATCOM Rx	360 to 380 MHz	
	MUOS SATCOM Tx	300 to 320 MHz	
VSWR	1.5:1		
Polarization	RHCP		
Connector	"N" Female		
RF Power Handling	100 Watts CW		
Gain	Mounted on:	4' round ground plane	20" Satwing on Riser (RAMI8714)
	Elevation Angle (Degrees)	Gain (dBiC)	Gain (dBiC)
Legacy Rx (243-270 MHz)	90	6.0	5.5
	45	2.5	3.0
	20	-2.5	-1.0
Legacy Tx (292-318 MHz)	90	5.0	4.0
	45	1.0	2.5
	20	-3.0	-1.0
MUOS Rx (360-380 MHz)	90	2.0	3.5
	45	2.0	1.5
	20	-2.0	-1.0
MUOS Tx (300-320 MHz)	90	5.0	4.0
	45	1.0	2.0
	20	-3.0	-1.0
Max. Weight	7.3 Lbs		
Colors Available	RAMI8711G	CARC GREEN	
	RAMI8711T	CARC TAN	
	RAMI8711B	CARC BLACK	