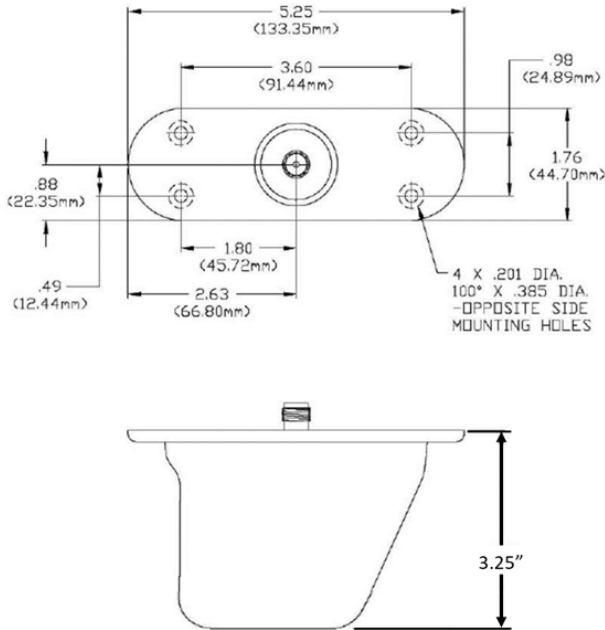


AV-265
LOUD AND CLEAR

Part Number: AV-265

PRODUCT DESCRIPTION

The AV-265 is a broadband blade type antenna for applications such as Transponder, Cellular, 4G LTE, GSM, PCS, WIFI, and UMTS. The antenna housing is constructed of a Polyarylamide Plastic shell and the base is 6061-T6 aluminum with a chemical conversion coating per MIL-C-5541. The antenna is supplied with an o-ring and mounting hardware. The antenna is designed to operate at speeds up to Mach 1 and altitudes up to 55,000 feet.



PRODUCT SPECIFICATIONS

Application	Transponder, Cellular, 4G LTE, GSM, PCS, WIFI, UMTS	
Frequency	700-2650 MHz (Non TSO Function) 1030-1090 MHz (TSO C74d TBD) 3400-3700 MHz (Non TSO Function) 4800-5875 MHz (Non TSO Function)	
Impedance	50 Ohms Nominal	
VSWR	700-2650MHz	2.5:1 Max.
	1030-1090 MHz	1.5:1 Max.
	3400-3700 MHz	2.5:1 Max.
	4800-5875 MHz	2.5:1 Max.
Polarization	Vertical	
Pattern	Omni-Directional	
Connector	"TNC" Female (Optional: SMA, BNC & N)	
RF Power Handling	100 Watts Continuous, 1000 Watts Peak	
Max. Weight	0.40 lbs (6.4 oz.)	
Color	Gloss White, Skydrol resistant polyurethane enamel	