

RAMI8715

Model	RAMI8715
Market	Military - Land Vehicular / Air

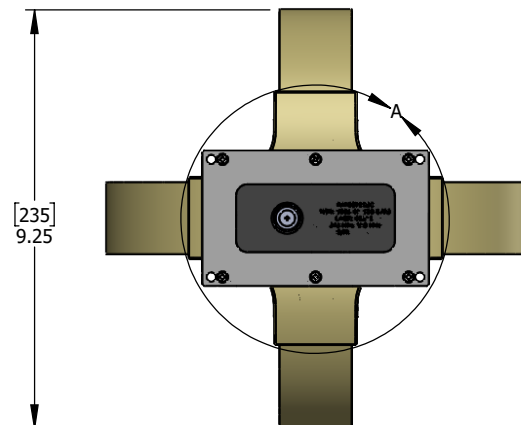
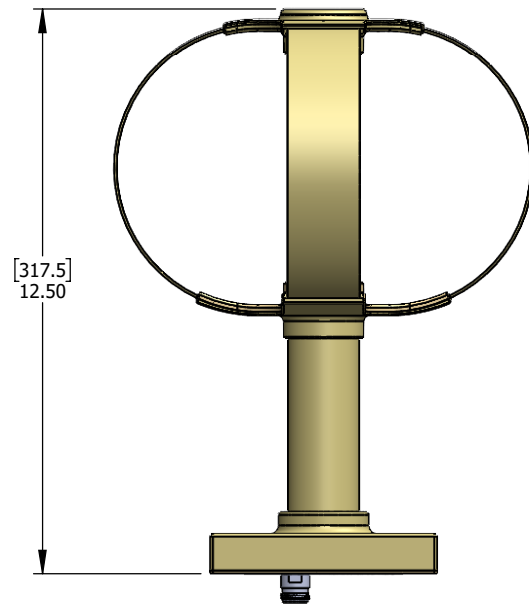
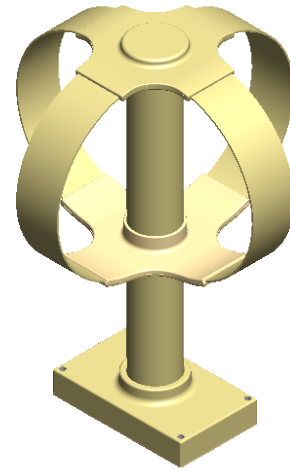
The RAMI8715 is an eggbeater style antenna for UHF SATCOM communications. This antenna's iconic design and performance is excellent for SATCOM On-The-Move operations on vehicles as well as airborne applications at airspeeds less than Mach 1.

Product Specifications

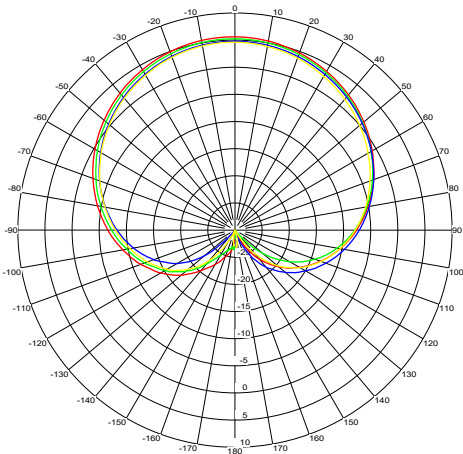
Application	Secure Communications / Airborne Communications	
Frequency	243 - 318 MHz	
Impedance	50 Ohms Nominal	
VSWR	1.5:1	
Polarization	Right Hand Circular	
Pattern	Hemispherical/ Omni-Directional	
Connector	N Type Female	
RF Power Handling	200 Watts CW	
Gain at Zenith	+6dBiC Nominal	

Mechanical Specifications

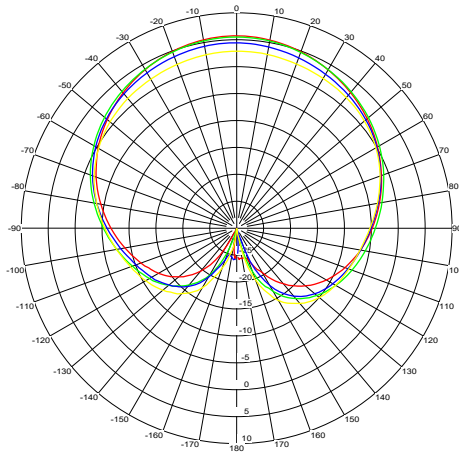
Height	31.75 cm	12.50"
Weight	0.86 kg	1.9 lbs
Color	RAMI8715B	Carc Black
	RAMI8715T	CARC Tan



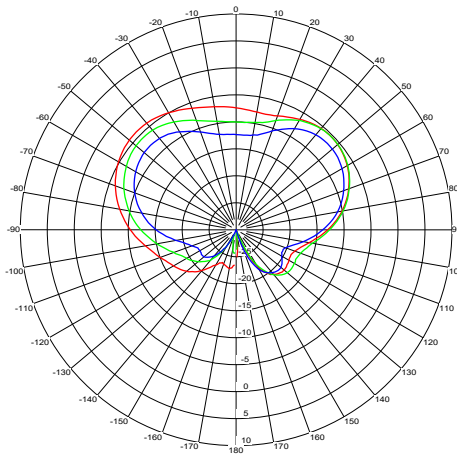
Radiation Patterns



Overlays
 Freq: 0.244 GHz
 Freq: 0.250 GHz
 Freq: 0.260 GHz
 Freq: 0.270 GHz

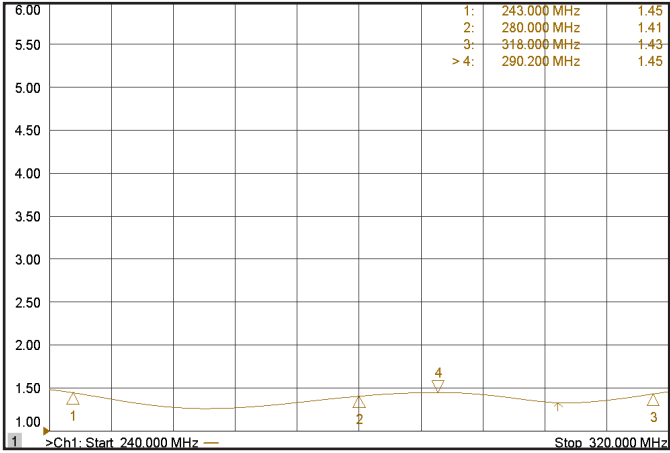


Overlays
 Freq: 0.290 GHz
 Freq: 0.300 GHz
 Freq: 0.310 GHz
 Freq: 0.320 GHz

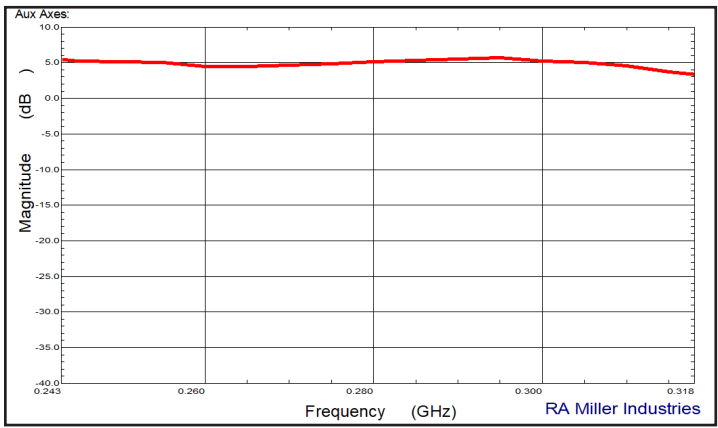


Overlays
 Freq: 0.360 GHz
 Freq: 0.370 GHz
 Freq: 0.380 GHz

VSWR



Peak Gain Over Frequency

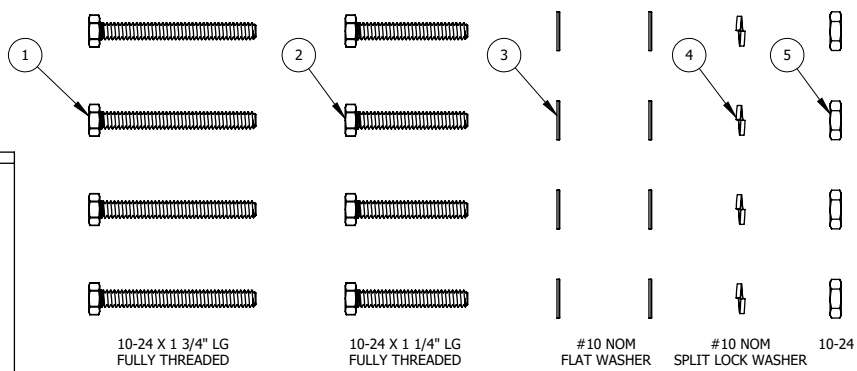
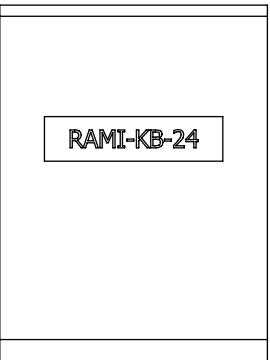


Environmental Specifications Per MIL-STD-810G

High Operating Temp.	+85 deg C Method 501.5 Proc. II	Immersion	Method 512.5 Proc I
Low Operating Temp.	-40 deg C Method 502.5 Proc II	Rain	Method 506.4 Proc. II
High Temp. Storage	+85 C deg Method 501.5 Proc I	Sand and Dust	Method 510.5 Proc. I
Low Temp. Storage	-50 deg C Method 502.5 Proc I	Solar Radiation	Method 505.5 Proc. I
Humidity	Method 507.5 Proc. II	Bounce Loose Cargo	MIL-STD-810C Method 514.2 Proc. XI Part 2
Salt Fog	Method 509.5	Altitude Operational	Method 500.5 Proc. I
Vibration	Method 514.6 Proc. I	Altitude Storage	Method 500.5
Temperature Shock	Method 503.5	Icing-Freezing	Method 521.3
Transit Drop	Method 516.6	Shock	Method 516.6
Static Load			

INCLUDED KIT BAG

KB-24



5	HN1024-SSP	HEX NUT	4
4	SLW10-SSP	SPLIT LOCK WASHER	4
3	FW10-SSP	FLAT WASHER	8
2	HB1024X1250-SSP	HEX HEAD BOLT	4
1	HB1024X1750-SSP	HEX HEAD BOLT	4
ITEM	PART NUMBER	DESCRIPTION	QTY