



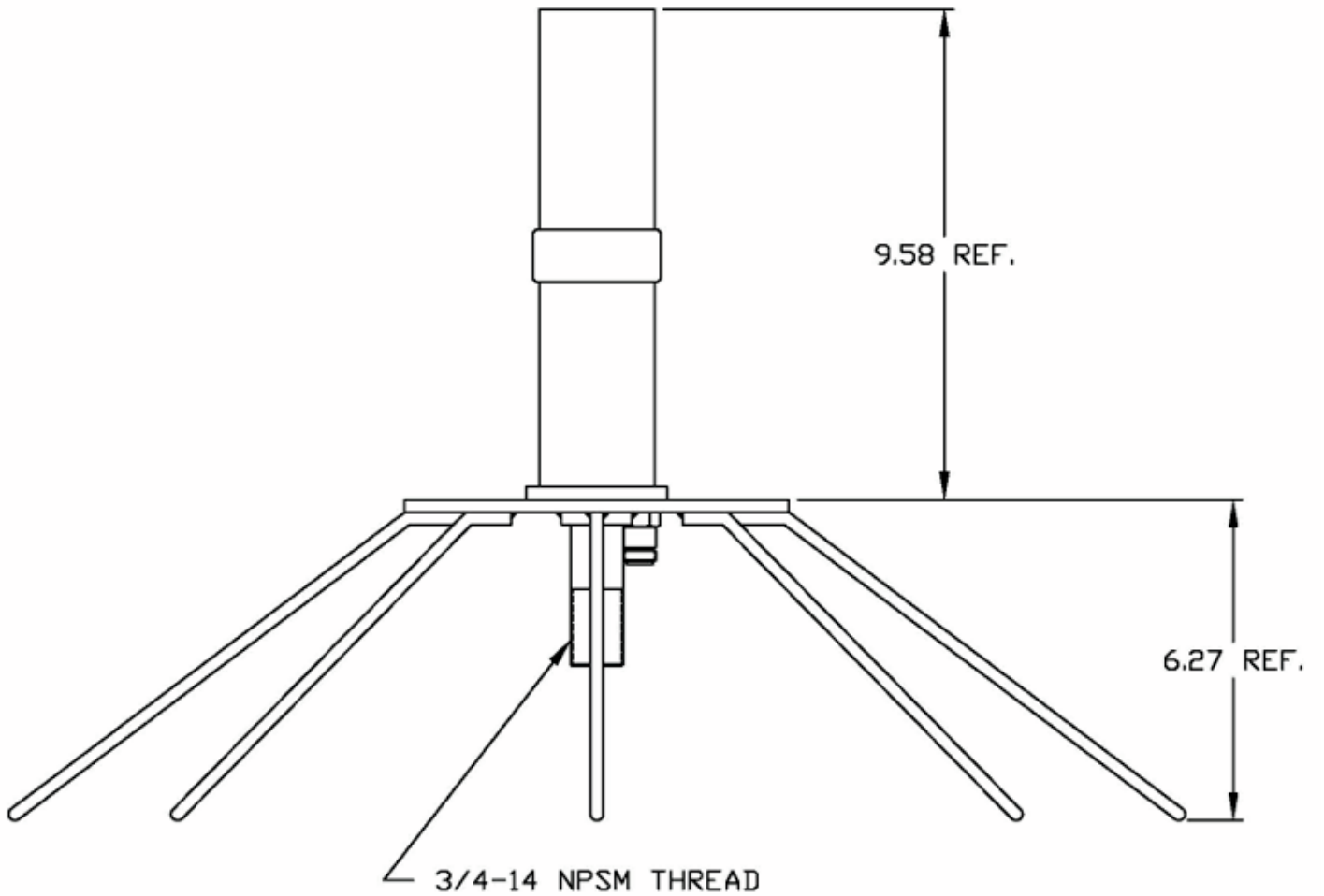
PRODUCT DESCRIPTION

Model Number	AS-390A/SRC
Part Number	AS-390A/SRC
NSN	5985-00-519-9886
Market	Military–Sea

The AS-390A/SRC Antenna is designed for omni-directional UHF communications. The antenna is an unbalanced, broadband coaxial stub antenna for shipboard application and consists of a radiating element and a counterpoise ground plane. It mounts via a threaded stub protruding from the ground plane with a 3/4-14 NPSM straight pipe thread. The antenna is manufactured and qualified to specification NAVSHIPS 91338 and Navy drawing RE66D585.

PRODUCT SPECIFICATIONS

Application	Shipboard UHF Communications
Frequency	225–400 MHz
Impedance	50 Ohms Nominal
VSWR	2.3:1 Maximum
Polarization	Vertical
Pattern	Omni-Directional
Connector	“N” Female
Max Weight	7 lbs.
RF Power Capacity	100 Watts CW
Color	CARC Gray



(not to scale)