



PRODUCT DESCRIPTION

Model Number	AS-177B/UPX
Part Number	AS-177B/UPX
NSN	5985-01-379-3027
Market	Military–Sea

The AS-177B/UPX Antenna is designed for omni-directional ship or land-based IFF/SIF installation. The radiating element consists of a full-wave center feed dipole with a conical skirt to prevent currents from flowing on the supporting mast. The antenna is enclosed in fiberglass radome which protects the high voltage points from moisture, dirt, or physical contact. The antenna is mounted directly to a 1-1/2" pipe and clamped by two (2) 5/16" bolts to prevent it from turning on the mounting pipe. The antenna is manufactured and qualified to Military Specification MIL-A-28745.

PRODUCT SPECIFICATIONS

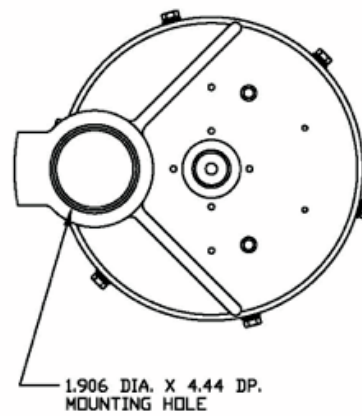
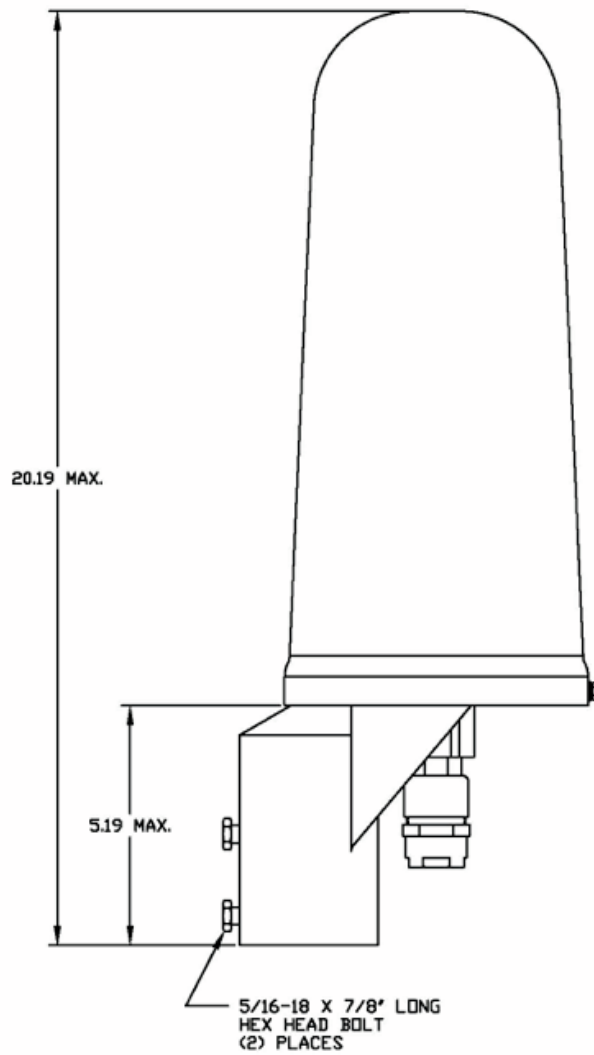
Application	IFF/SIF
Frequency	1030–1090 MHz
Impedance	50 Ohms Nominal
VSWR	1.4:1 Maximum
Polarization	Vertical
Pattern	Omni-Directional
Connector	UG-352/U Female UG-154B/U Male (Supplied)
Max Weight	8 lbs
RF Power Capacity	5000 Watts Peak
Gain	+2.8 dBi
Color	CARC Gray CARC Tan - P/N AS-177B/UPX-C(-T)



The Antenna Professionals

AS-177B/UPX

LOUD & CLEAR®



(not to scale)

