

37P-4

LOUD & CLEAR®



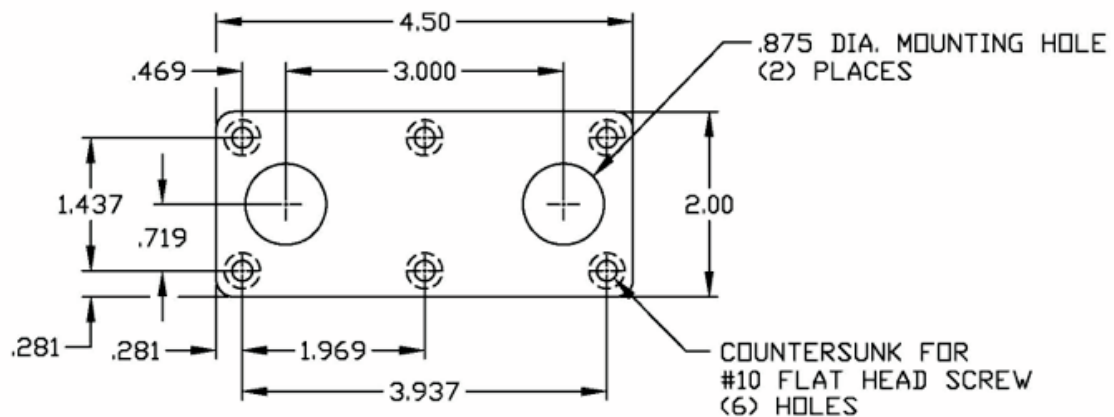
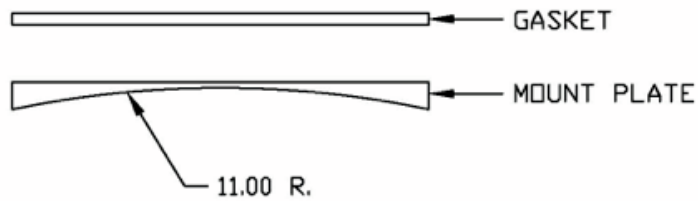
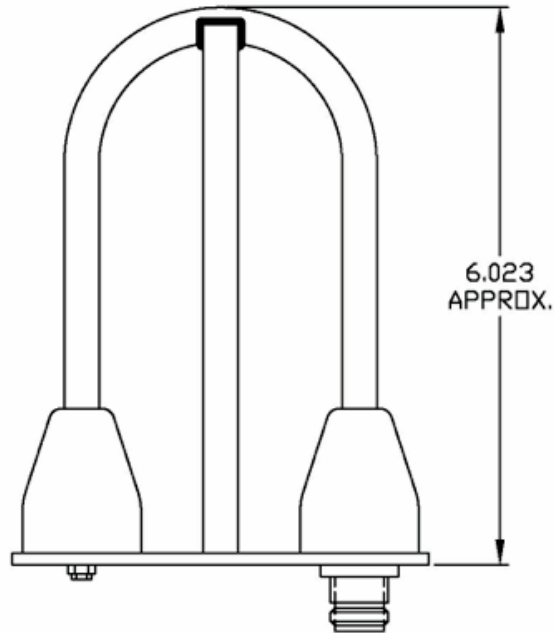
PRODUCT DESCRIPTION

Model Number	37P-4
Part Number	522-0688-003
NSN	5985-00-589-2475
Market	Military–Air

The 37P-4 is designed for use with Glide Slope receivers for reliable performance. The antenna is lightweight and is suitable for mounting either in a radome or externally on the aircraft. The antenna is provided with an adapter plate with an 11" radius for mounting on rounded fuselages. The antenna has an "N" Female Connector and is finished with a chemical film coating per Military Specification MIL-DTL-5541, Class 1A, Type 2 for maximum corrosion protection in a salt-laden atmosphere.

PRODUCT SPECIFICATIONS

Application	Glide Slope
Frequency	329–336 MHz
Impedance	50 Ohms Nominal
VSWR	2.0:1 Maximum
Polarization	Horizontal
Pattern	Forward Directional
Connector	"N" Female
Max Weight	0.7 lbs.



THIS IS NOT A TEMPLATE
NOT TO SCALE

(not to scale)