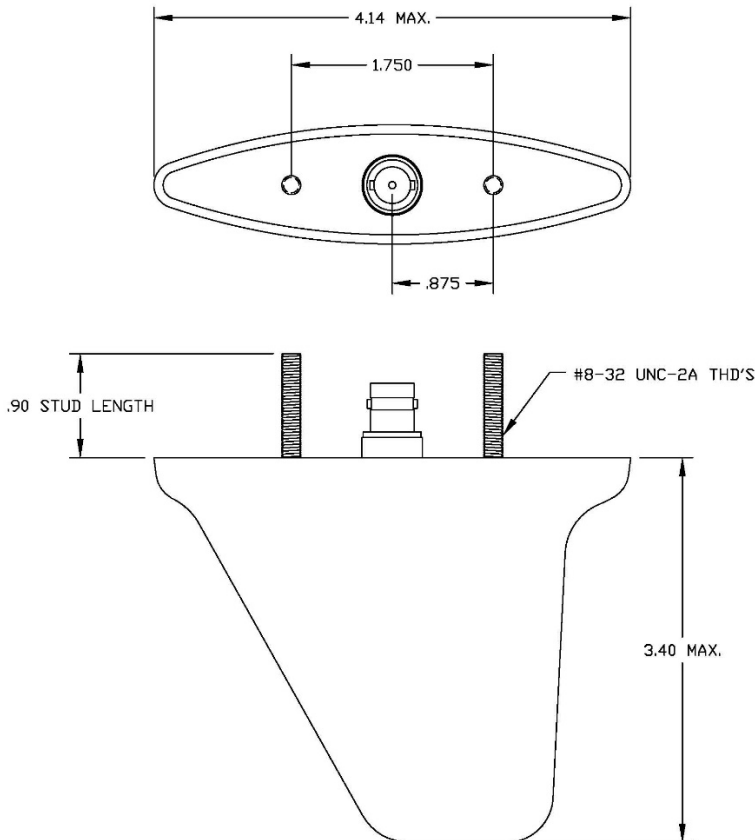


PRODUCT DESCRIPTION

Model Number AV-74(-1)
Part Number AV-74(-1)



The AV-74(-1) is a broadband blade type antenna for transponder or DME application. The antenna has longer mounting studs than the AV-74 for thicker mounting surfaces. The antenna housing is constructed of acrylonitrile-styrene-acrylic (ASA) shell. The white color allows maximum performance without losses due to color pigments or unseen dirt. The antenna is supplied with cellular neoprene mounting pads and hardware. The antenna is designed to operate at speeds up to 350 mph and altitudes up to 50,000 ft. It has a drag force of 0.09 lbs @ 250 mph. This antenna is a direct replacement for Comant's model CI-105.

PRODUCT SPECIFICATIONS

Application	Transponder/ DME
Frequency	960-1220 MHz
Impedance	50 Ohms Nominal
VSWR	1.5:1 Maximum
Polarization	Vertical
Pattern	Omni-Directional
Connector	"BNC" Female
RF Power Handling	2.5 kW Peak
Gain	Unity
Max. Weight	0.2 lbs
Color	Gloss White