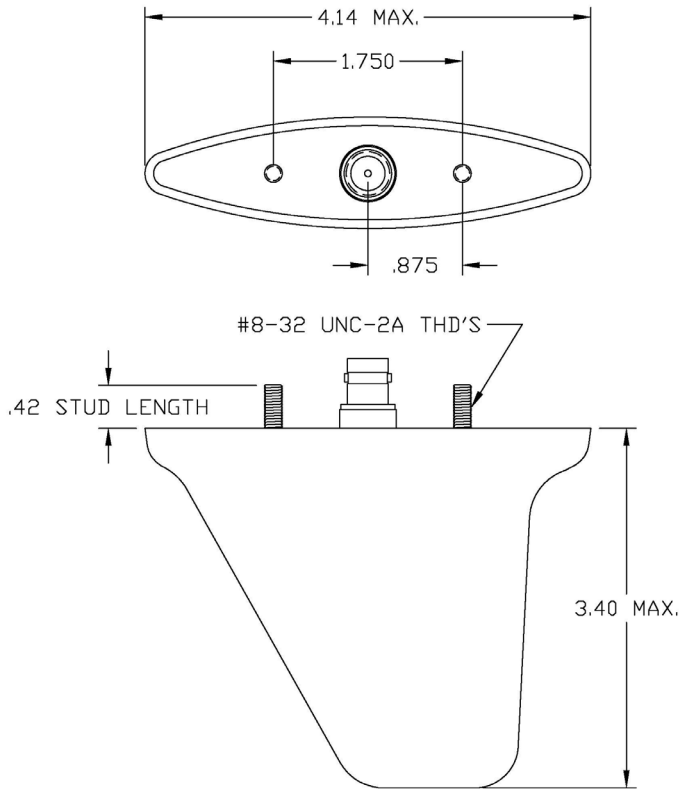


PRODUCT DESCRIPTION

Model Number AV-74
Part Number AV-74



The AV-74 is a broadband blade type antenna for transponder or DME application. The antenna housing is constructed of acrylonitrile-styrene-acrylic (ASA) shell. The white color allows maximum performance without losses due to color pigments or unseen dirt. The antenna is supplied with cellular neoprene mounting pad and hardware. The antenna is designed to operate at speeds up to 350 mph and altitudes up to 50,000 ft. It has a drag force of 0.09 lbs @ 250 mph. This antenna is a direct replacement for Comant's model CI-105.

PRODUCT SPECIFICATIONS

Application	Transponder/ DME	
Frequency	960-1220 MHz	
Impedance	50 Ohms Nominal	
VSWR	1.5:1 Maximum	
Polarization	Vertical	
Pattern	Omni-Directional	
Connector	"BNC" Female	
RF Power Handling	2.5 kW Peak	
Gain	Unity	
Max. Weight	0.2 lbs	
Color	AV-74	Gloss White
	AV-74(-GB)	Gloss Black
	AV-74(-B)	CARC Black
FAA TSO	C66c, C74c	