



## PRODUCT DESCRIPTION

Model Number	AS-390A/SRC
Part Number	AS-390A/SRC
NSN	5985-00-519-9886
Market	Military–Sea

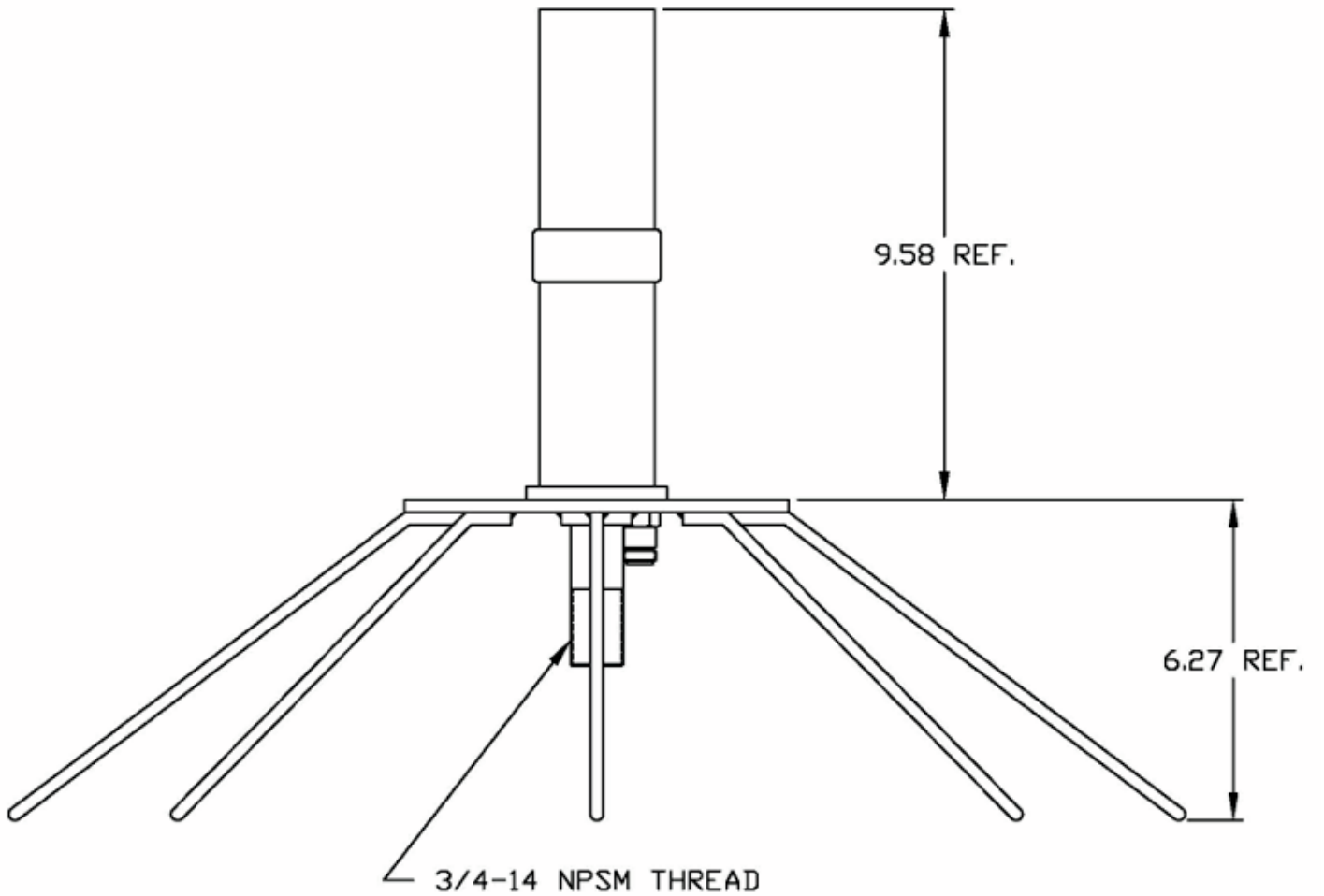
---

The AS-390A/SRC Antenna is designed for omni-directional UHF communications. The antenna is an unbalanced, broadband coaxial stub antenna for shipboard application and consists of a radiating element and a counterpoise ground plane. It mounts via a threaded stub protruding from the ground plane with a 3/4-14 NPSM straight pipe thread. The antenna is manufactured and qualified to specification NAVSHIPS 91338 and Navy drawing RE66D585.

---

## PRODUCT SPECIFICATIONS

Application	Shipboard UHF Communications
Frequency	225–390 MHz
Impedance	50 Ohms Nominal
VSWR	1.9:1 Maximum
Polarization	Vertical
Pattern	Omni-Directional
Connector	“N” Female
Max Weight	7 lbs.
RF Power Capacity	100 Watts CW
Color	CARC Gray



(not to scale)