

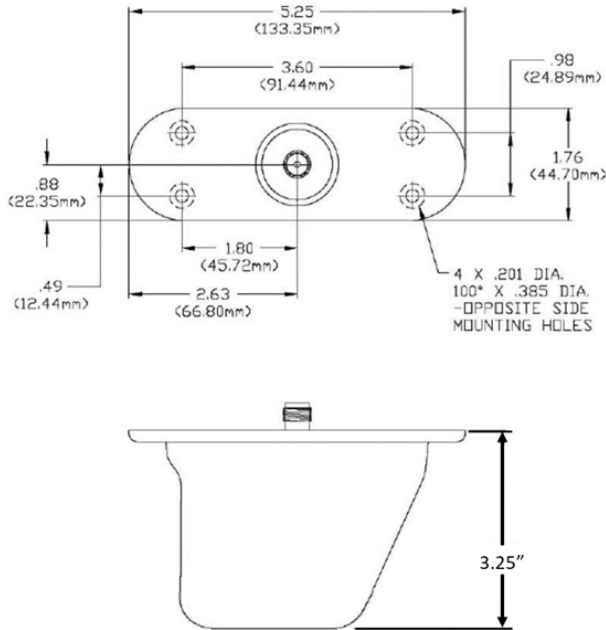
AV-265

LOUD AND CLEAR

Part Number: AV-265

PRODUCT DESCRIPTION

The AV-265 is a broadband blade type antenna for applications such as Transponder, Cellular, 4G LTE, GSM, PCS, WIFI, and UMTS. The antenna housing is constructed of a Polyarylamide Plastic shell and the base is 6061-T6 aluminum with a chemical conversion coating per MIL-C-5541. The antenna is supplied with an o-ring and mounting hardware. The antenna is designed to operate at speeds up to Mach 1 and altitudes up to 55,000 feet.



PRODUCT SPECIFICATIONS

| | | |
|-------------------|---|--|
| Application | Transponder, Cellular, 4G LTE, GSM, PCS, WIFI, UMTS | |
| Frequency | 700-2650 MHz 1030-1090 MHz 3400-3700 MHz 4800-5875 MHz | |
| Impedance | 50 Ohms Nominal | |
| VSWR | 700-2650 MHz 1030-1090 MHz 3400-3700 MHz 4800-5875 MHz | 2.5:1 Max. 1.5:1 Max. 2.5:1 Max. 2.5:1 Max. |
| Polarization | Vertical | |
| Pattern | Omni-Directional | |
| Connector | "TNC" Female | |
| RF Power Handling | 100 Watts Continuous, 1000 Watts Peak | |
| Max. Weight | 0.40 lbs (6.4 oz.) | |
| Color | Gloss White, Skydrol resistant polyurethane enamel | |